

# AddBike



Your bike



AddBike+ & Carry'Box



Becomes a cargo bike

*Non-contractual photos*

## The Carry'Box Instruction Manual

April 2021

Compatible with the AddBike and the AddBike+

This manual will teach you how to assemble/disassemble and use the Carry'Box module correctly. It is imperative you read this entire manual to keep your bike and the Carry'Box in good condition.

**Please keep this document.**



The AddBike+ is a new concept that replaces your bike's front wheel in order to turn into a handy three-wheeled bike, perfect for moving around in big cities. It consists of a two-wheeled base that allows you to transport light loads and attach different modules specifically designed for the AddBike+. These modules adapt your AddBike+ to transport heavier or bulkier loads, your shopping or even your children!

## We welcome you to the Addbiker Family!

There is no need to invest in expensive and large cargo bikes. Thanks to the AddBike+ you can quickly and easily turn your own bike into a compact cargo bike.

This document only concerns the Carry'Box and is complementary to the "AddBike+ Instruction Manual".

This module is compatible with the AddBike and AddBike+




<b>Maximum capacity</b>	
Carry'Box	35 kg   77lbs
<b>Measurements (LxWxH)</b>	
Carry'Box volume	40cm x 45cm x 62cm   16" x 18" x 24" – 110 L
AddBike + Carry'Box	68cm x 70cm x 90cm   27" x 28" x 35"

## Summary

1.	General Warning	4
2.	Carry'Box Glossary	5
3.	Contents of the Carry'Box box	6
4.	Installing the Carry'Box	6
5.	Using the Carry'Box	16
6.	Uninstalling the Carry'Box module	16
7.	Cleaning	16
8.	Warranty	17
9.	Assistance in case of problems	17

# 1. General Warning

## Symbols and warnings:

	<b>WARNING!</b> This symbol indicates a hazard that could result in serious injury if the instructions are not followed.
	<b>CAUTION!</b> This symbol indicates a hazard that may result in minor injury if the instructions are not followed.
	<b>TIP!</b> This symbol indicates advice for the use or maintenance of your AddBike+

**Before installing this module on your AddBike+, make sure you have read and understood the "AddBike+ Instruction Manual".**

**Read and follow the instructions in this guide:** Read the entire guide carefully and follow the instructions in order to use the Carry'Box module safely. If you do not understand certain indications, please contact your AddBike+ dealer or contact AddBike+ directly at: [support@addbike.fr](mailto:support@addbike.fr). Please keep this manual for future reference. It is also important to take into account the directions for use of the AddBike+ and that of the bike on which you are installing the AddBike+.

The AddBike Company disclaims all liability in case of non-compliance with the instructions in this Instruction Manual and in case of modification of the product by the user.

### **Using the Carry'Box Module**

The Carry'Box module is designed to be used on the AddBike+ produced by our company. Do not try to install or use this module on other cargo bikes or on a classic bike.

The Carry'Box module is not designed to be stored outdoors for an extended period of time. It must be stored in a dry place away from corrosive products.

## 2. Carry'Box Glossary

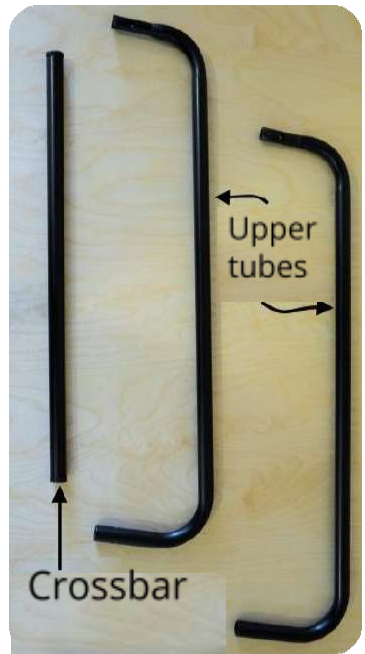
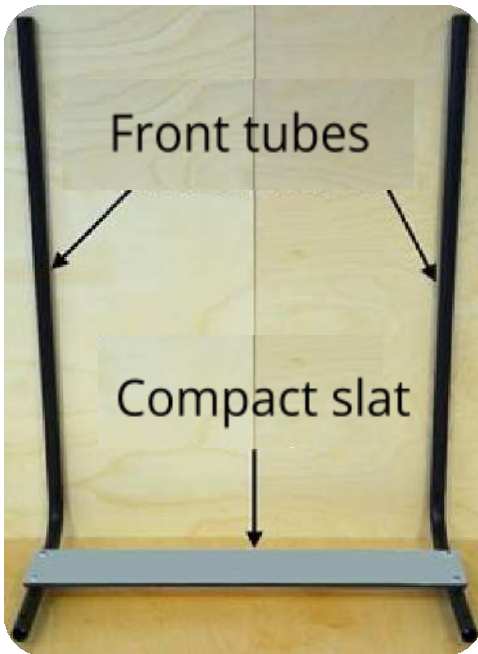
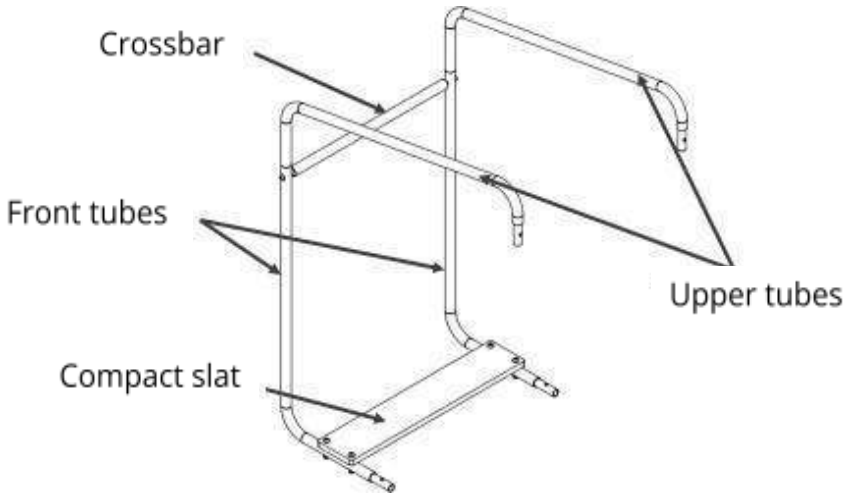


Illustration 1 - Carry'Box Glossary

### 3. Contents of the Carry'Box box

Le module Carry'Box est livré dans un carton contenant :

- 1 compact slat ;
- The textile part of the module (black and white) ;
- The module's textile lid (black);
- 2 upper tubes ;
- 2 front tubes ;
- 1 crossbar ;
- 2 BHC M5x30 screws ;
- 4 BHC M5x20 screws;
- Carry'Box Instruction Manual.

Before assembling the Carry'Dog module on your bike, remember to check that the product is in good general condition (no scratches, no bent parts).

### 4. Installing the Carry'Box

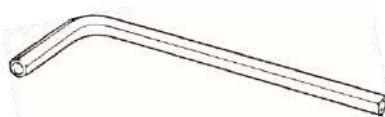


**The Carry'Box module must be installed and uninstalled as explained. Improper installation can lead to accidents that could cause serious injury.**



**We advise you to install the Carry'Box on the AddBike+ before installing it on your bike.**

For the installation/deinstallation you will need a size 3 Allen key:



***Allen Key (size 3)***

**Illustration 2 – Tool needed**

- Screw the provided compact slat at the bottom of the front tubes with 4 BHC M5x20 screws. Refer to the image below.



**Illustration 3 - Fixing the compact slat to the front tubes**

- Unscrew the 2 screws as shown below, situated on the AddBike+ seat. Then unscrew the screws on each side of the AddBike+ backrest.



**Screws to remove**



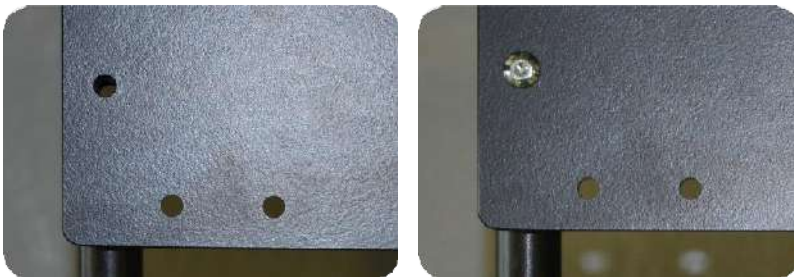
**Illustration 4 - Screws to be removed from the seat and backrest**

- Insert the front tubes of the compact slat into the seat of the AddBike+. Make sure that the screw holes are in line



**Illustration 5 - Insertion of front tubes into the seat**

- Screw in the previously removed screws located in the seat of the AddBike+, by inserting them through the holes in the front tubes.



**Illustration 6 - Screws to be put back on the seat**



- Install the textile as shown in illustration 7:
  - The front tubes go into the the textile's white sleeves
  - The back of the textile simply goes in front of the backrest



Illustration 7 - Inserting the textile

- At the back of the module, hook the 3 textile straps around the backrest of the AddBike+, starting with the bottom one;



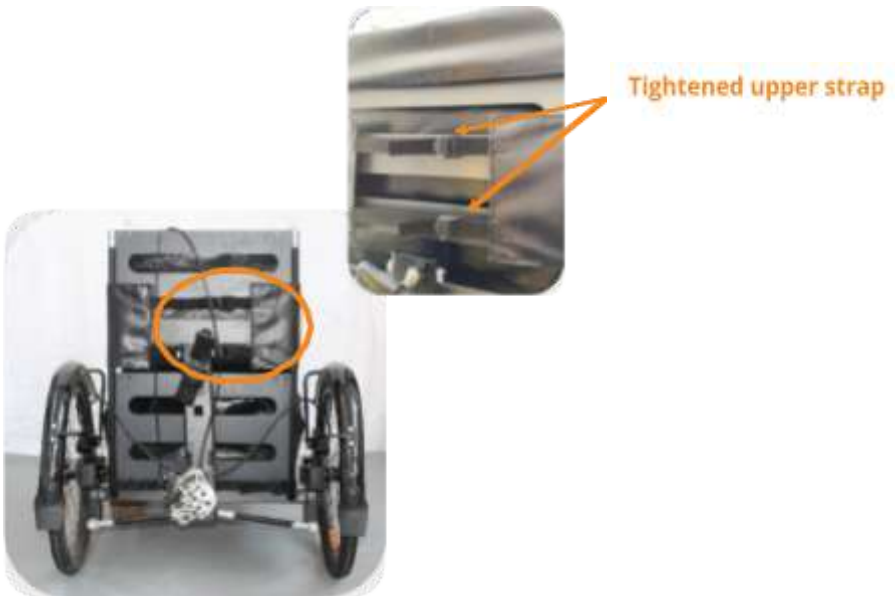
**Tighten the fabric on both sides, centering the fabric on the backrest as much as possible.**



**None of the AddBike+ cables should be stuck in the straps.**



**Illustration 8 - Tightening of the lower strap of the textile**



**Illustration 9 - Tightened fabric**

- Insert the top tubes into the holes in the backrest and front tubes at the same time. If they do not match, you have positioned the top tube in the wrong direction;



**Illustration 10 - Inserting the upper tubes into the backrest**

- Screw the previously removed backrest screws by inserting them through the holes in the upper tubes;



**Illustration 11 - Screws to be replaced on the backrest**

- Put the crossbar through the lid sleeve as shown in illustration12.



**Illustration 12 - Inserting the crossbar in the textile lid**

- Secure the crossbar between the upper tubes and the front tubes using BHC M5x30 as shown in illustration 13a and 13b.



**Illustration 13a - Installing the crossbar**



**Illustration 13b - Installing the crossbar**

- Open the upper flaps on each side of the module by pulling on the Velcro as shown on illustration 14.



**Illustration 14 - Lifting the velcro**

- Fold the fabric over the upper tubes and secure it on the velcro as shown in illustration 15.



**Illustration 15 - Fabric folded over the upper tubes**

- Close the Carry'Box by putting the lid onto the fabric as shown in illustration 16a and 16b.



**Illustration 16a - Finished Carry'Box**



Illustration 16b - Finished Carry'Box



If you wish to use the Carry'Box without the lid, all you must do is not put it on the crossbar while building it.

## 5. Using the Carry'Box

### Rules related to the use of the Carry'Box

When loading the Carry'Box, you must be extremely careful that the load isn't bigger than the maximum Carry'Box volume.

Check that :

- The load is properly put in the Carry'Box;
- The load doesn't exceed the height and width of the Carry'Box;
- The transported load mustn't interfere with the fork's movement, the wheels, and the handlebar.



**The load mustn't exceed 35kg | 77lbs**



**Do not transport sharp objects in the Carry'Box, it could ruin the fabric.**



**When transporting something in the Carry'Box, check that the load is properly secured in order to prevent any movement that could lead to a loss of control.**



**Do not transport children in the Carry'Dog.**

- **Driving the AddBike+ while loaded.**  
Refer to chapter 9C of the "AddBike+ Instruction Manual".

## 6. Uninstalling the Carry'Box

- Remove the crossbar by unfastening the screws holding it in place.
- Undo the Velcro that maintains the fabric and put them to the other side of the upper tubes to free them.
- Undo the screws holding the upper tubes to the backrest and remove them from the frame.
- Loosen the straps at the back of the textile.
- Remove the textile by sliding it through the sleeves.
- Undo the screws holding the lower tubes and the seat together and remove the lower tubes.

## 7. Cleaning

The Carry'Box can be cleaned with a sponge and clear water.  
You can remove the textile part to easily clean it.



## 8. Warranty

The warranty of the Carry'Dog module is valid for **2 years** after purchase. The product must be kept and used in accordance with its instructions. Any damage resulting from improper use, insufficient maintenance or normal wear and tear is excluded from the guarantee.

The quality of the product through time depends strongly on:

- The distance covered/ load transported
- The driving style: the number of abrupt starts and brakings, winding roads at high speed (...)
- Meteorological and environmental factors: ultraviolet rays, humidity, dirt, temperature, air salinity, contact with saltwater
- The state of maintenance: regular maintenance checks, maintenance products used

## 9. Assistance in case of problems

If a problem occurs with your Carry'Dog, please contact us via e-mail at **support@addbike.fr** or you can contact your dealer. Both parties will offer assistance to solve your issue.

You can consult the list of AddBike+ retailers, trained for construction and maintenance on [www.add-bike.com](http://www.add-bike.com).